

SANISHOWER® FLAT

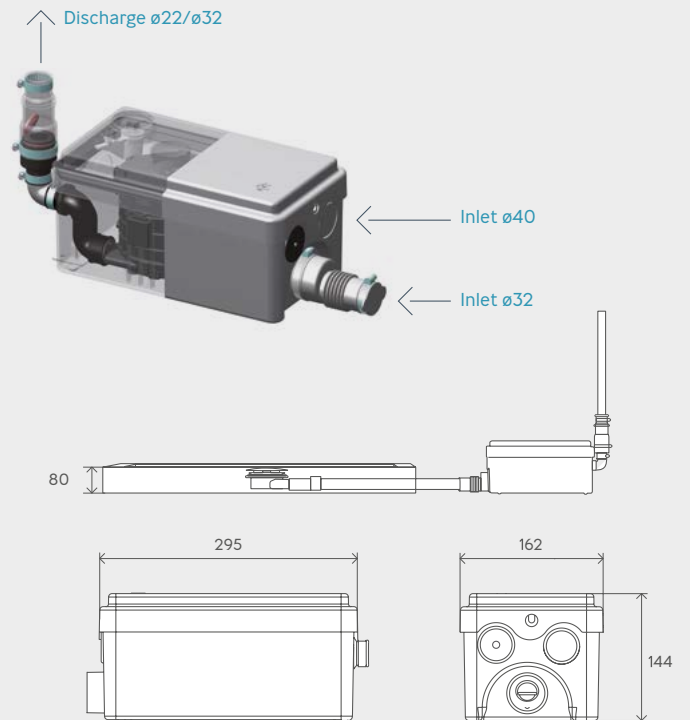
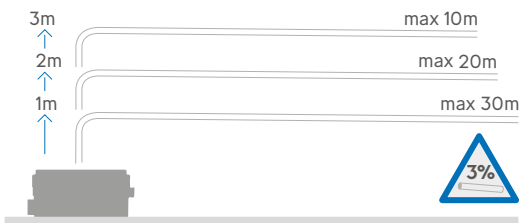
Product Ref: 1043/3

Ideal pumping solution for a low level shower tray. Capable of pumping a standard electric or gravity mixer shower. Two inlets mean a wash basin can be added too.

Why choose this product?

- Suits low level shower trays of 80mm and over
- Overcomes gravity drainage issues
- Allows basement showers
- Additional inlet for basin
- Two part kit with Sanishower flat pump plus gully and waste
- Low level activation

Vertical/horizontal performance



Discharge Pipework
22 / 32mm

Working Waste Water Temp
35°C

Motor Power
250 Watts

Product Weight
3.7kg

Voltages
220-240 V/50 Hz

IP Rating
IP44

